

# EL<sup>®</sup>MARK

The Brand of Electricity

## LED PANELS STELLAR

### GENERAL INFORMATION »

- ∴ Rated voltage: 230VAC
- ∴ Power: 40W; 48W
- ∴ Power supply: control gear, DC device - driver
- ∴ Light source: SMD4014
- ∴ Colour temperature: 4000K; 6400K
- ∴ Body: Aluminium
- ∴ Housing: White; Aluminium frame, no change of color over time
- ∴ Diffuser: even distribution of lights, without formation of lighter or darker spots
- ∴ Colour rendering index: Ra≥80
- ∴ Beam angle: 120°
- ∴ Average life: 15000 hours
- ∴ Switch on/off: >10 000
- ∴ Starting time: < 0.5s
- ∴ Power factor: 0.9
- ∴ Protection against dust and moisture: IP40
- ∴ Available in variant with an emergency kit

### FEATURES »

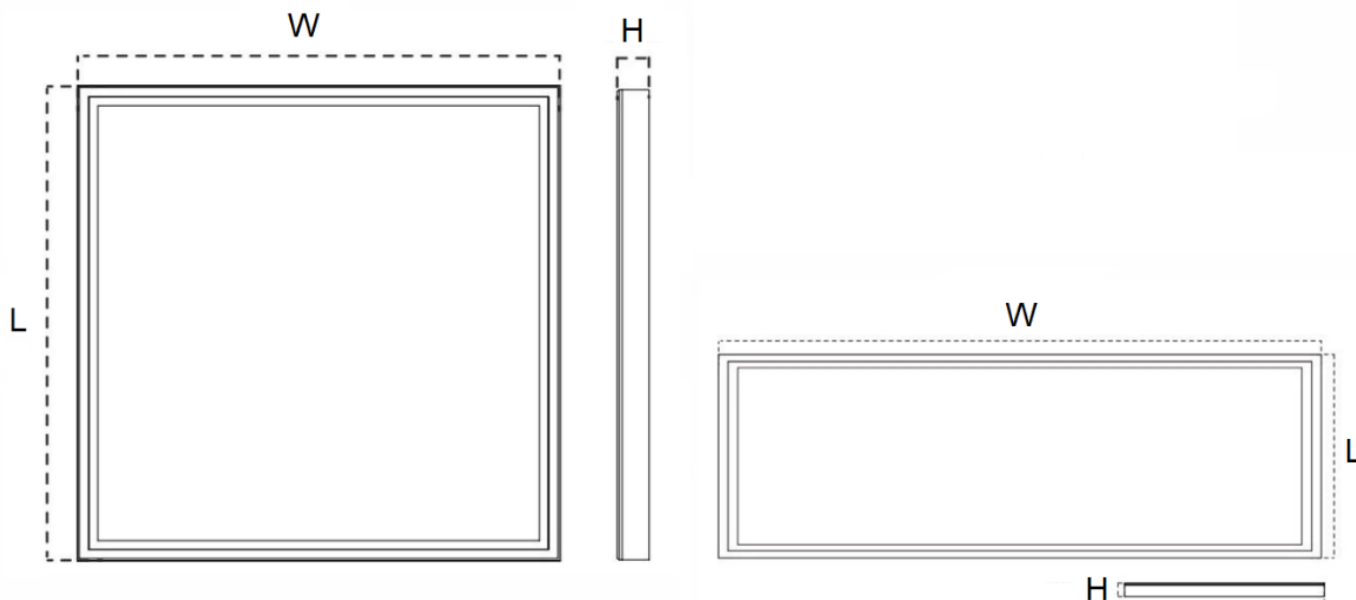
- ∴ Completely replace traditional fluorescent lighting
- ∴ Safety, low voltage operation
- ∴ Suitable for mounting in suspended ceiling Armstrong type
- ∴ Emit a very pleasant and even light with very low glare factor due to the diffusion lens
- ∴ Low power consumption
- ∴ Instant light with maximum luminous flux
- ∴ Environmentally friendly - do not emit mercury and lead
- ∴ No ultraviolet and infrared rays
- ∴ Resistant to shock and vibration
- ∴ Suitable for home, offices, halls, shops, hospitals



## PRODUCT DETAILS »

Catalogue number	Catalogue number with Emergency kit	Watt (W)	Whole fixture lumens (lm)	Colour temp. (K)	Colour body
99XPANEL020W	99XPANEL020WE	48	4320	4000	White
99XPANEL020CW	99XPANEL020CWE	48	4320	6400	White
99XPANEL021W	99XPANEL021WE	48	4320	4000	White

## DIMENSIONS »



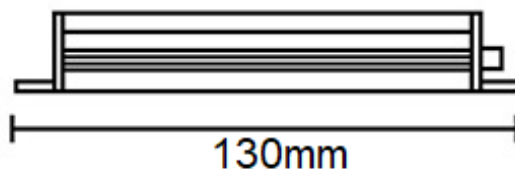
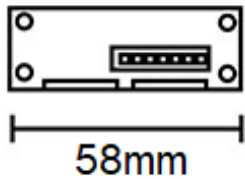
Catalogue number	Length (mm)	Width (mm)	Height (mm)
99XPANEL020W	595	595	30
99XPANEL020CW	595	595	30
99XPANEL021W	295	1195	30

## LED EMERGENCY KIT SPECIFICATIONS »

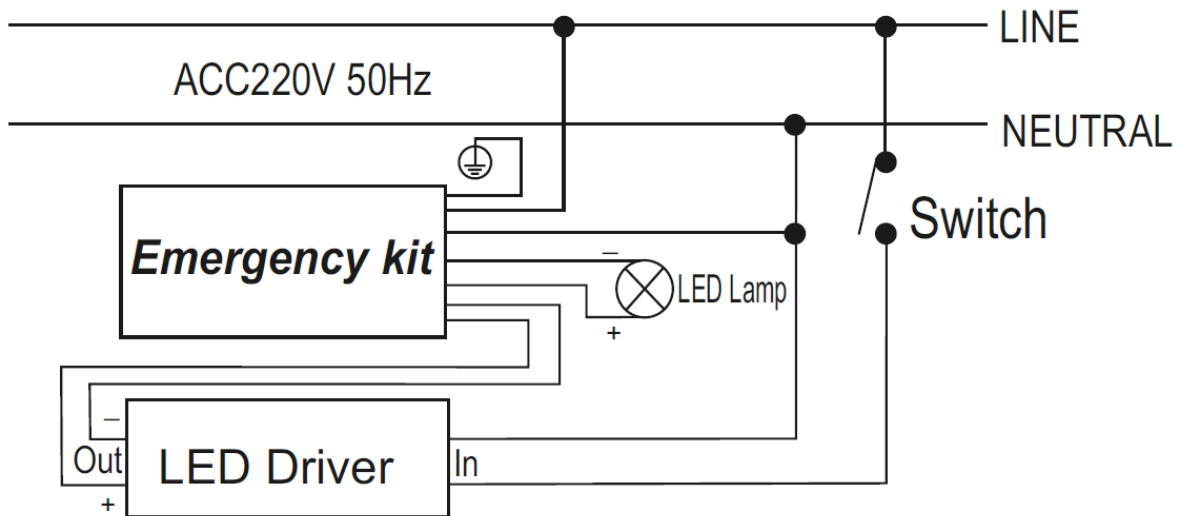


### General information »

- ∴ Voltage: AC85-265V 50Hz
- ∴ Emergency Output: 3-40W
- ∴ Emergency Time: 2hrs (120mins)
- ∴ Battery: 3.7V 2400mAh
- ∴ Emergency Switching Time: <2s
- ∴ AC Fuse: 250V 1A
- ∴ DC Fuse: 250V 5A
- ∴ Luminous Flux: >100lm
- ∴ Light Source: LED
- ∴ Working temperature: -10°C +55°C
- ∴ IP Rate: IP30



### Wiring diagram




● - It indicates the connection



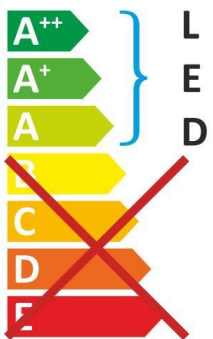
ADDITIONAL INFORMATION »

*stell* lighting solutions **99XPANEL020W**


---



This luminaire contains built-in LED lamps.



The lamps cannot be changed in the luminaire.

874/2012 

Catalogue number	Barcode	Packing/Box (pcs)
99XPANEL020W	3800131229144	1/6
99XPANEL020CW	3800131229151	1/6
99XPANEL021W	3800131229168	1/6

